

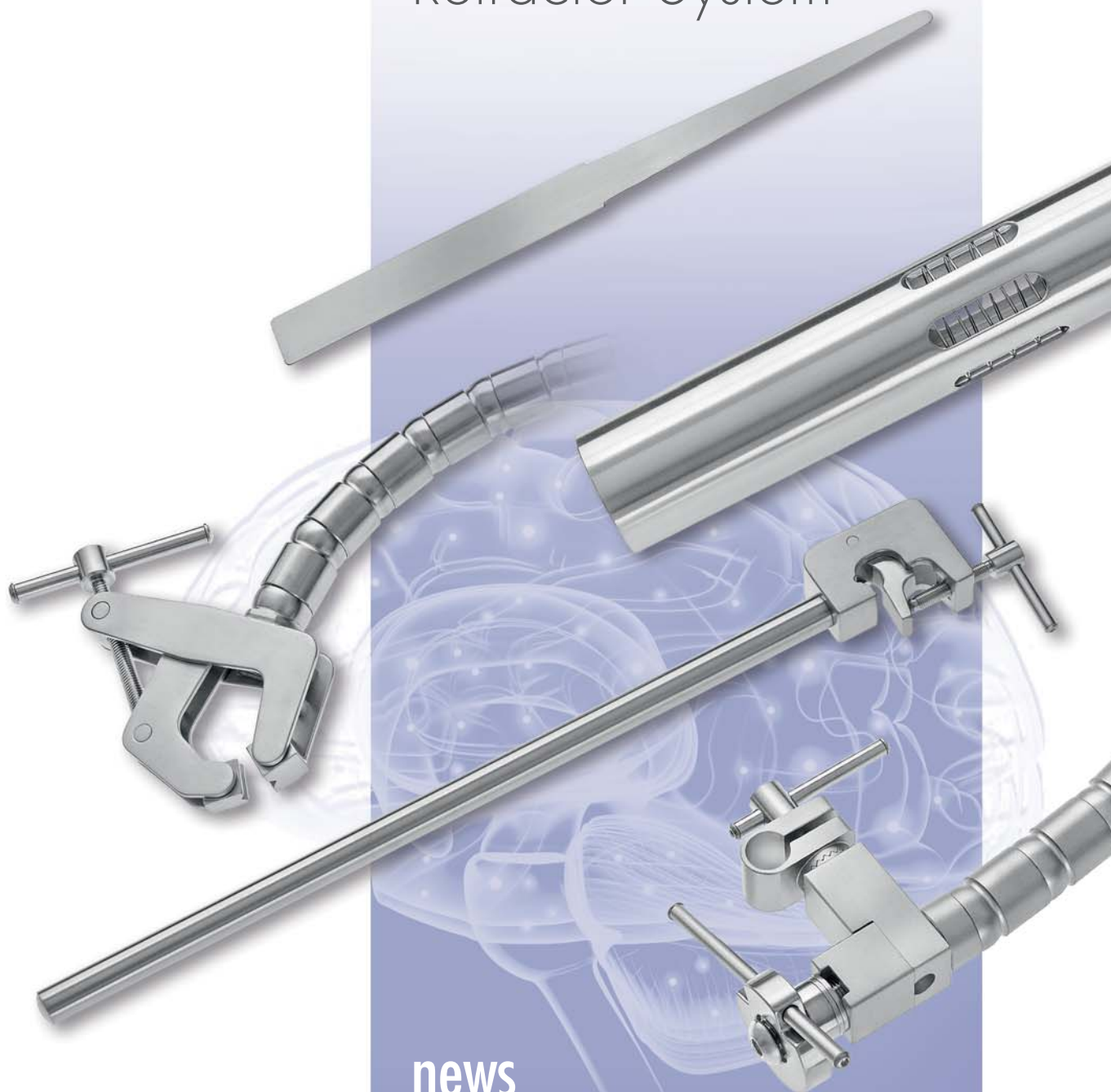
RZ Medizintechnik GmbH
Unter Hasslen 20 | D-78532 Tuttlingen
Phone: +49 (0)7462/9470-0
Fax: +49 (0)7462/9470-50
sales@rz-medizintechnik.com
www.rz-medizintechnik.com



RZ
Medizintechnik
GmbH

Progress in Surgery

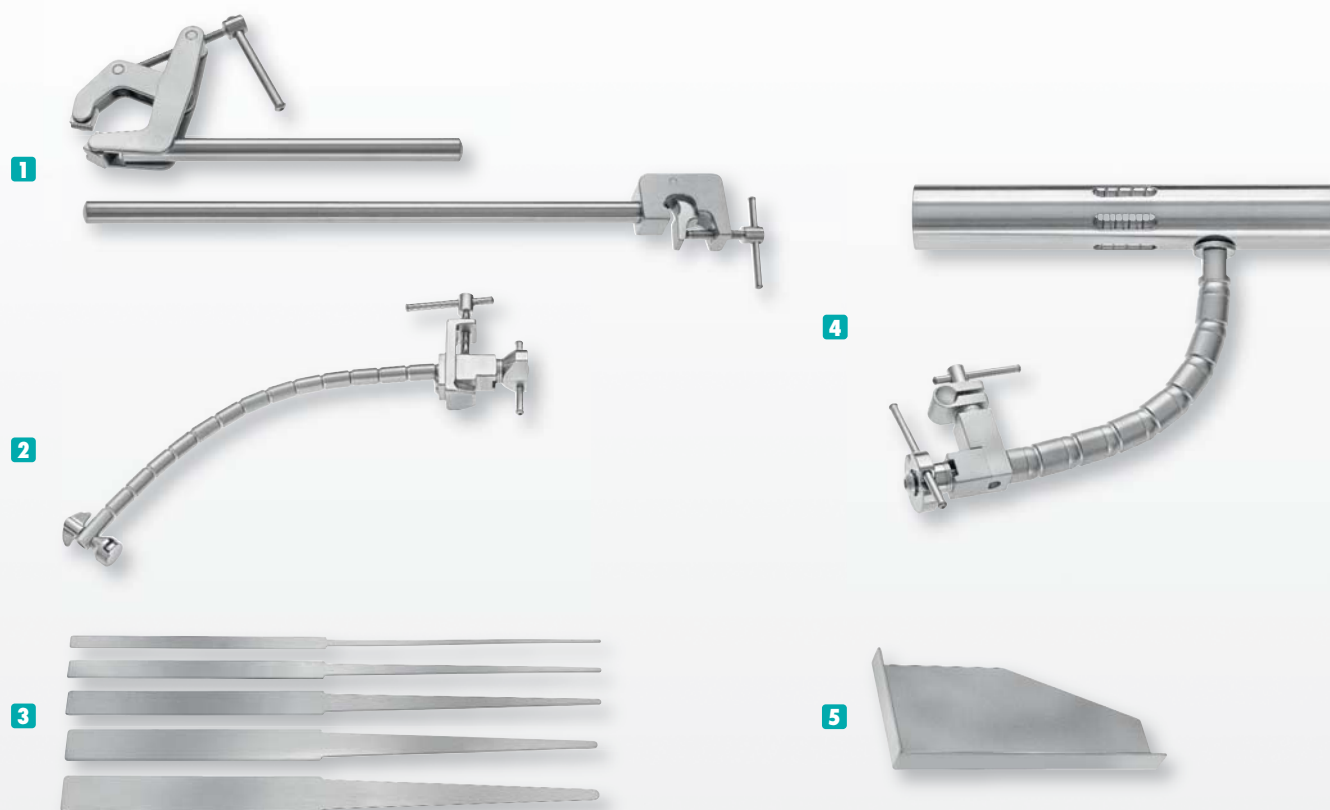
GRUENBERG Retractor System



news
11.2014

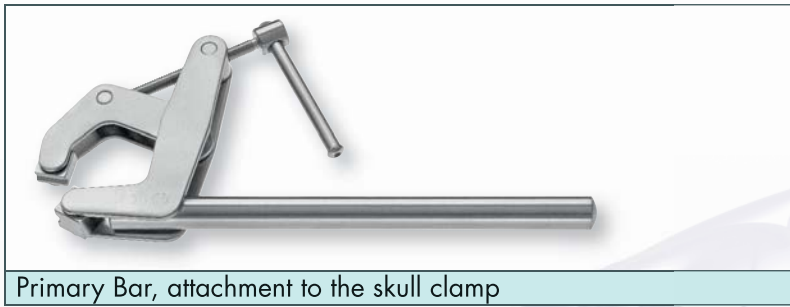
GRUENBERG RETRACTOR AND HAND REST SYSTEM

This modular, self-retaining neurosurgical system supports the surgeon with variable and flexible combinations of the parts. Increased control and more efficient dissection is possible. The Gruenberg system can be used in multiple levels of retraction.



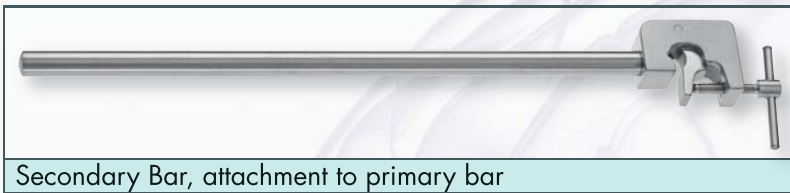
GRUENBERG KIT 250-050-150

	Description	Order number	Quantity
1	Primary bar	250-050-007	2
	Secondary bar	250-050-002	4
2	Long Arm Retractor	250-050-009	4
3	1.6 x 19mm	250-050-050	1
	2.0 x 10mm	250-050-051	1
	3.0 x 13mm	250-050-052	1
	4.0 x 16mm	250-050-053	1
	6.0 x 19mm	250-050-054	1
4	Hand Rest, 254mm	250-050-012	1
5	Pattie Tray	250-066-513	1



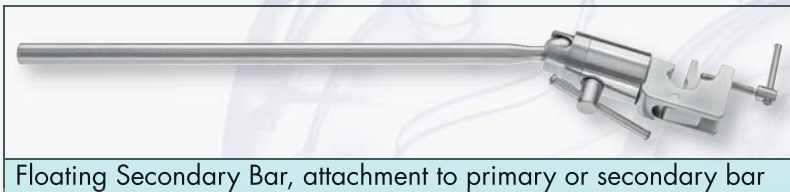
250-050-007 152mm, 6"

Primary Bar, attachment to the skull clamp



250-050-002 305mm, 12"

Secondary Bar, attachment to primary bar



250-050-003 300mm, 12"

Floating Secondary Bar, attachment to primary or secondary bar



250-050-050	1.6 x 19mm, 1/16 x 1/4"
250-050-051	2.0 x 10mm, 3/32 x 3/8"
250-050-052	3.0 x 13mm, 1/8 x 1/2"
250-050-053	4.0 x 16mm, 5/32 x 5/8"
250-050-054	6.0 x 19mm, 1/4 x 3/4"

Tapered Blades



250-050-012 254mm, 10"

Hand Rest, to be used with coupler 250-050-004



Small Instrument Holder

250-050-030 for instruments up to 8mm



Large Instrument Holder

250-050-031 for instruments up to 25mm



Extra large Instrument Holder

250-050-032 for instruments up to 51mm



Micro Instrument Holder

250-050-033 for instruments up to 3mm



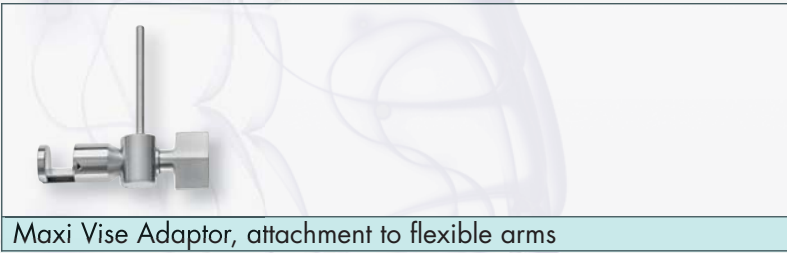
250-050-011	Short, 165mm, 6 ¹ / ₂ "
250-050-009	Long, 240mm, 9 ¹ / ₂ "

Arm Retractor



250-050-004	140mm, 5 ¹ / ₂ "
-------------	--

Short Coupler, to be used with handrest 250-050-012



250-050-013	doubles diameter from 4mm to 8mm
-------------	----------------------------------

Maxi Vise Adaptor, attachment to flexible arms



250-066-513	75 x 170 x 20mm
-------------	-----------------

Pattie Tray, with towel clamps



600-050-514	480 x 253 x 70mm
-------------	------------------

Sterilisation Tray, 4 compartments for various components

