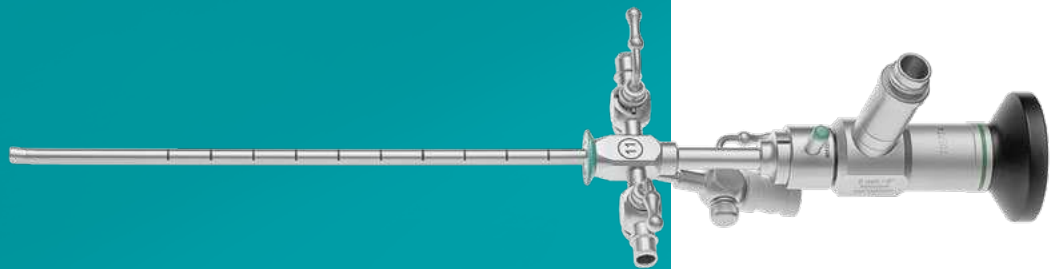


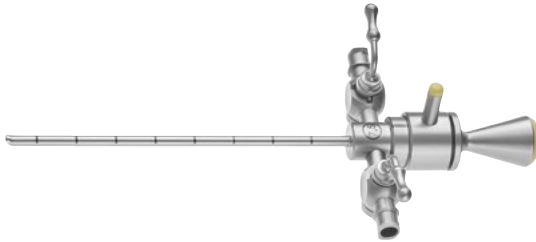
# PEDIATRIC



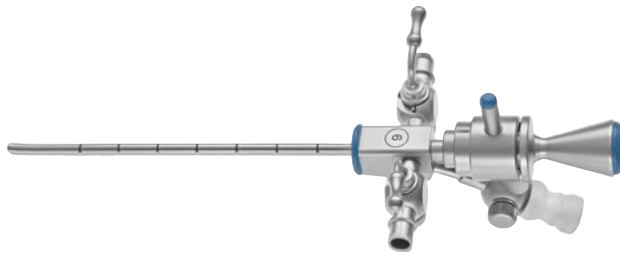
## CYSTO-URETHROSCOPE SET FOR NEW BORN



RZ Cystoscope, Ø 2.0mm  
 253-221-030 30°  
 253-221-000 0°

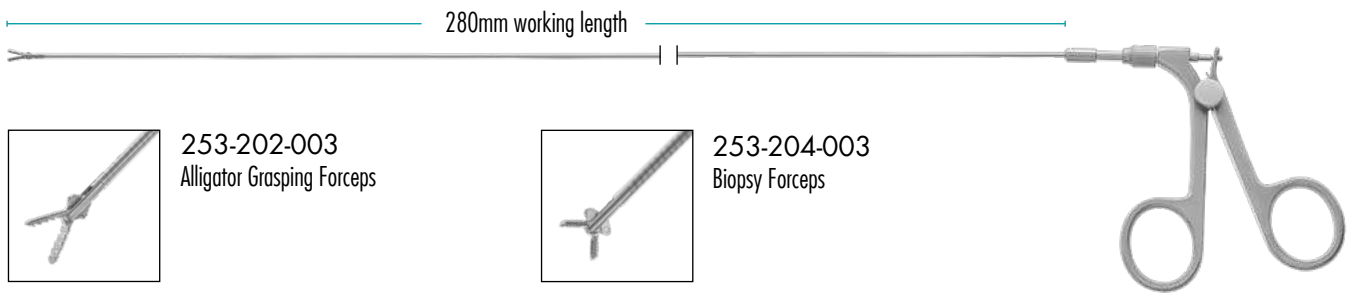


253-200-007 Cysto-Urethroscope Sheath, 7.5 Charr.

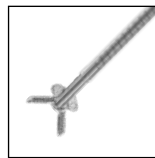


253-200-009 Cysto-Urethroscope Sheath, 9 Charr.,  
 with 3 Charr. Instrument Channel

## 3 Charr. Instruments for new born set



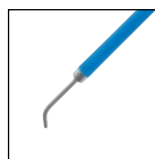
253-202-003  
 Alligator Grasping Forceps



253-204-003  
 Biopsy Forceps

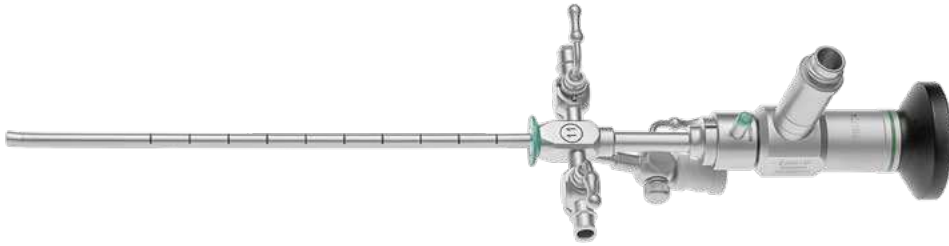


253-370-253  
 Ball Electrode, 250mm length

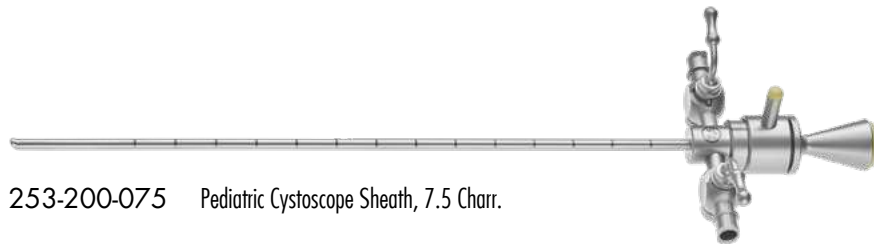
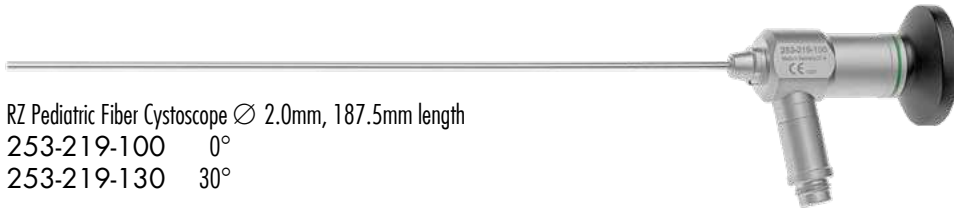


253-371-253  
 Needle Electrode, 250mm length

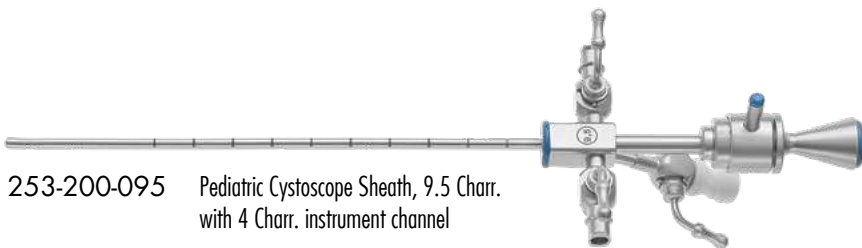
## Ø 2.0mm PEDIATRIC CYSTOSCOPY



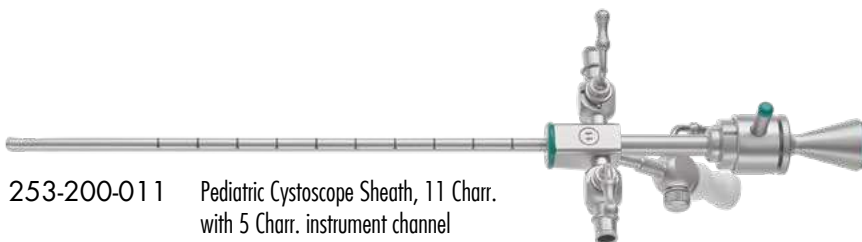
RZ Pediatric Fiber Cystoscope Ø 2.0mm, 187.5mm length  
 253-219-100 0°  
 253-219-130 30°



253-200-075 Pediatric Cystoscope Sheath, 7.5 Charr.



253-200-095 Pediatric Cystoscope Sheath, 9.5 Charr.  
 with 4 Charr. instrument channel

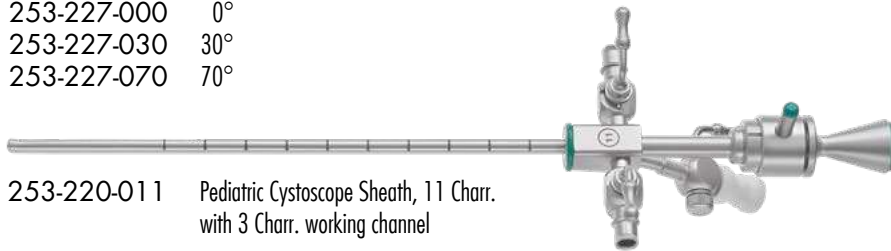


253-200-011 Pediatric Cystoscope Sheath, 11 Charr.  
 with 5 Charr. instrument channel

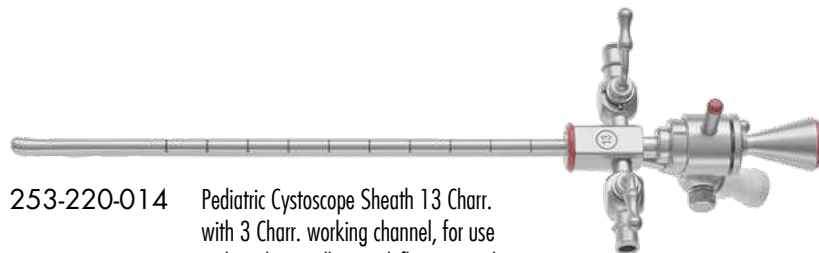
## Ø 2.7mm PEDIATRIC CYSTOSCOPY



RZ Pediatric Cystoscope, 2.7mm diameter, 187.5mm working length  
 253-227-000 0°  
 253-227-030 30°  
 253-227-070 70°



253-220-011 Pediatric Cystoscope Sheath, 11 Charr.  
 with 3 Charr. working channel



253-220-014 Pediatric Cystoscope Sheath 13 Charr.  
 with 3 Charr. working channel, for use  
 with Bridge or Albarran deflecting mechanism




253-220-025  
 Albarran deflecting mechanism for use with 253-220-014


253-220-030  
 Bridge for use with 253-220-014

## 3 Charr. Instruments for Ø 2.0 / 2.7mm Pediatric Cystoscopy


280mm working length



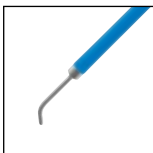
253-202-003  
Alligator Grasping Forceps



253-204-003  
Biopsy Forceps



253-370-253  
Ball Electrode, 250mm length

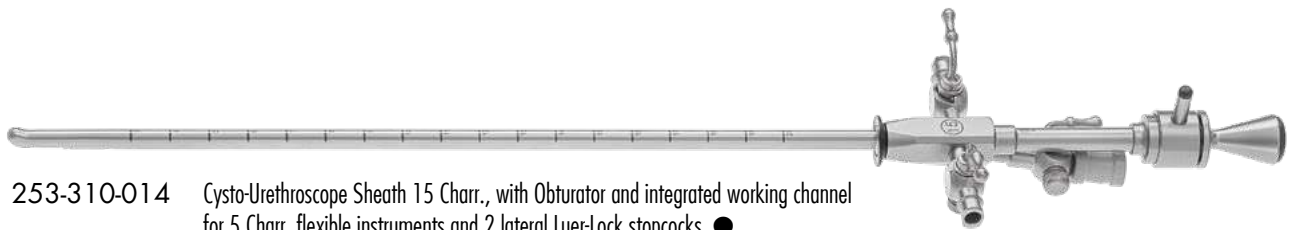


253-371-253  
Needle Electrode, 250mm length

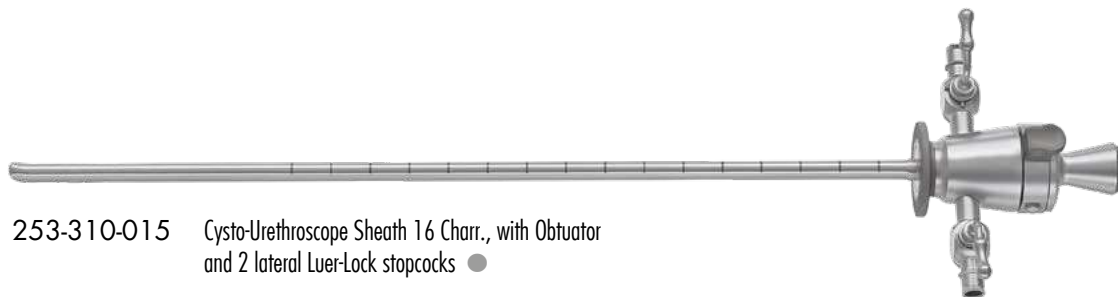
## Ø 2.9mm ADOLESCENT CYSTOSCOPY



RZ Cystoscope, Ø 2.9mm  
 253-829-000 0°  
 253-829-030 30°



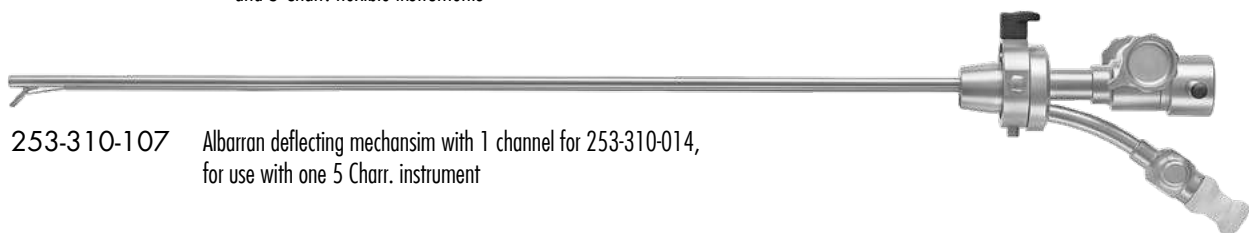
253-310-014 Cysto-Urethroscope Sheath 15 Charr., with Obturator and integrated working channel for 5 Charr. flexible instruments and 2 lateral Luer-Lock stopcocks ●



253-310-015 Cysto-Urethroscope Sheath 16 Charr., with Obturator and 2 lateral Luer-Lock stopcocks ●

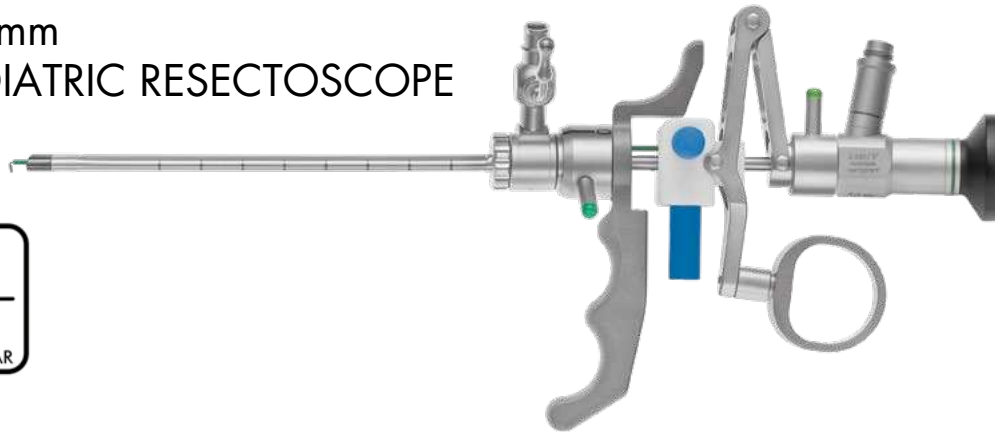


**1** 253-310-100 Telescope bridge without channel  
**2** 253-310-101 Telescope bridge with 1 channel for use with 253-310-014 and 5 Charr. flexible instruments

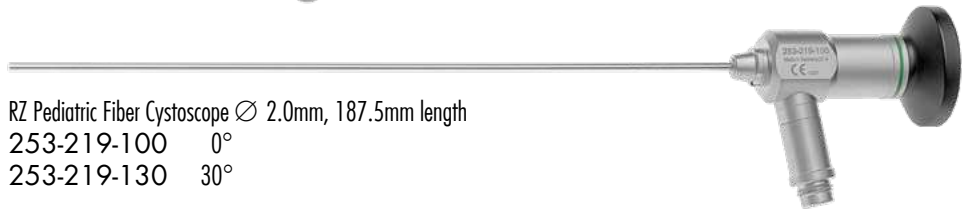


253-310-107 Albarran deflecting mechanism with 1 channel for 253-310-014, for use with one 5 Charr. instrument

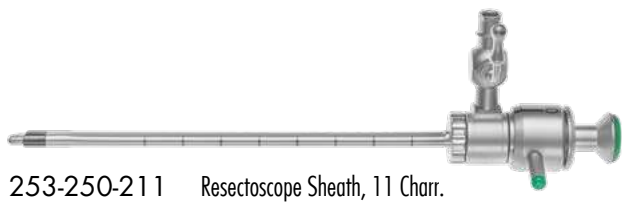
## Ø 2.0mm PEDIATRIC RESECTOSCOPE



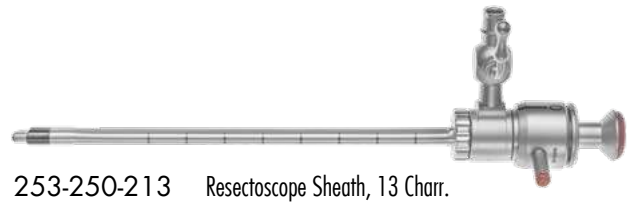
RZ Pediatric Fiber Cystoscope Ø 2.0mm, 187.5mm length  
253-219-100 0°  
253-219-130 30°



253-250-200 Passive working element for use with Ø 2.0mm RZ Fiber Cystoscope 253-219-100



253-250-211 Resectoscope Sheath, 11 Charr. with obturator ●



253-250-213 Resectoscope Sheath, 13 Charr. with obturator ●

## Electrodes

**11**  
CHARR.

**13**  
CHARR.



Cutting Loop

253-251-111

253-252-111



Coagulation Electrode, blunt

253-251-112

253-252-112



Hook Electrode with ball

253-251-113

253-252-113



Hook Electrode without ball

253-251-114

253-252-114

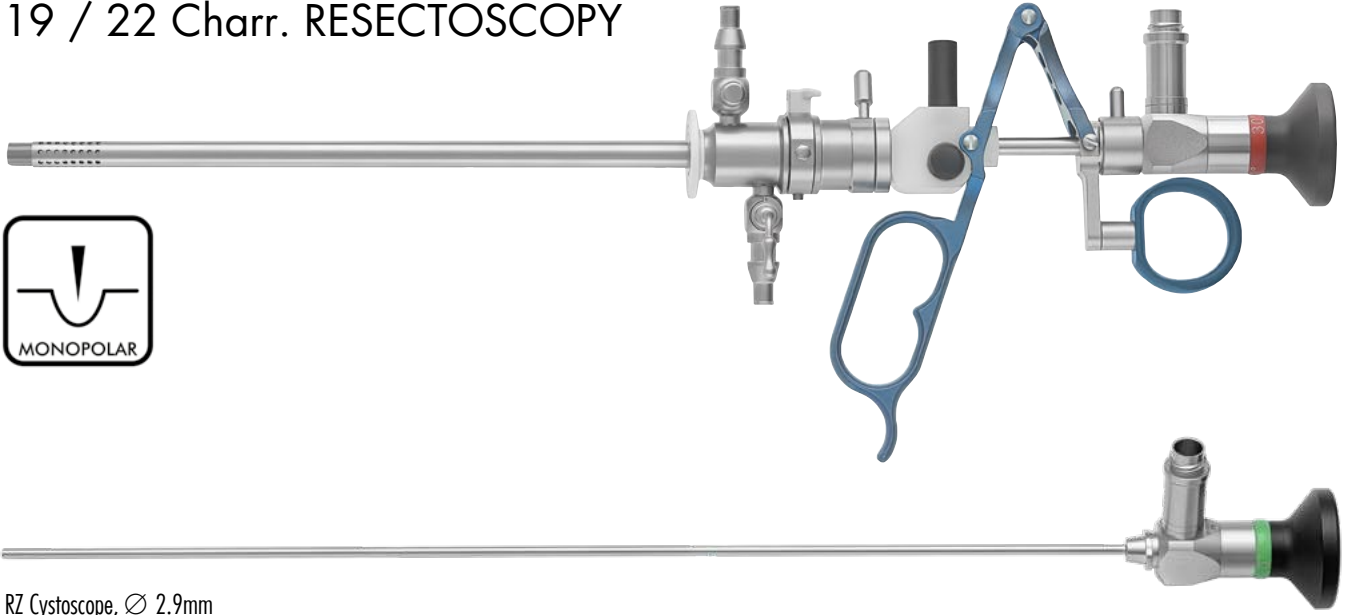


Needle Electrode, pointed

253-251-115

253-252-115

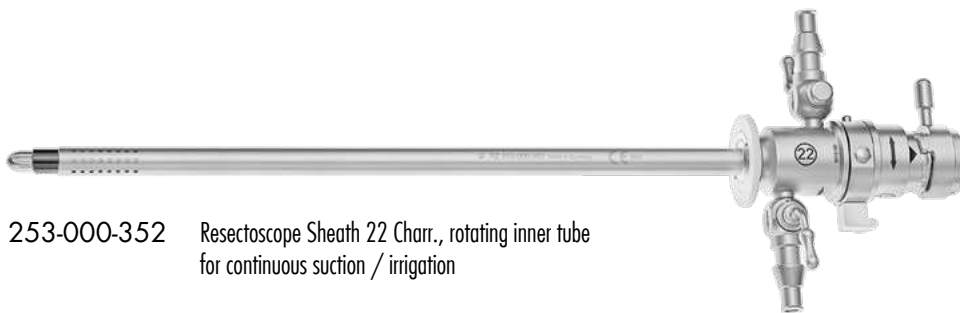
## 19 / 22 Charr. RESECTOSCOPY



RZ Cystoscope,  $\varnothing$  2.9mm  
 253-829-000 0°  
 253-829-030 30°

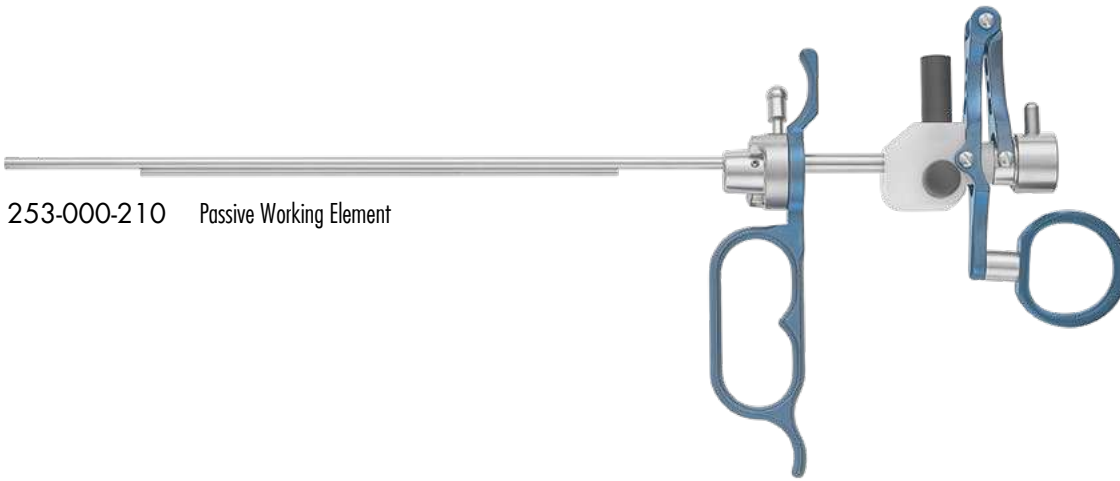


253-000-552 Standard Resectoscope Sheath for slim resectoscope, 19 Charr.

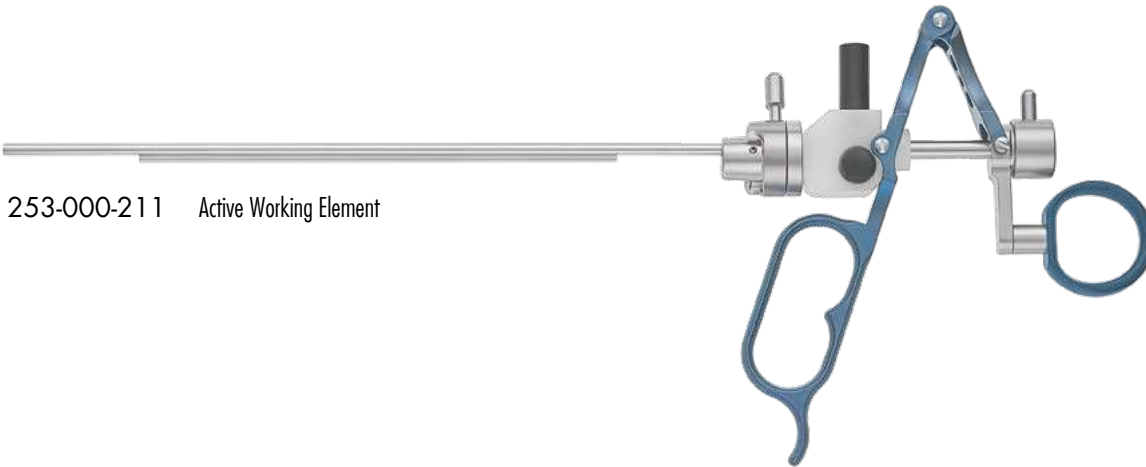


253-000-352 Resectoscope Sheath 22 Charr., rotating inner tube  
 for continuous suction / irrigation

## 19 / 22 Charr. RESECTOSCOPY

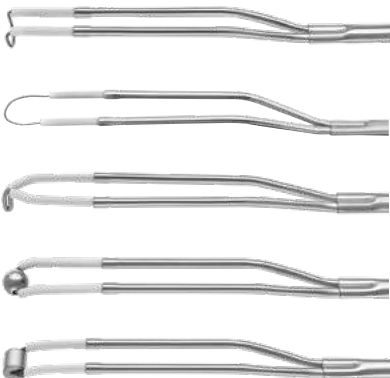


253-000-210 Passive Working Element



253-000-211 Active Working Element

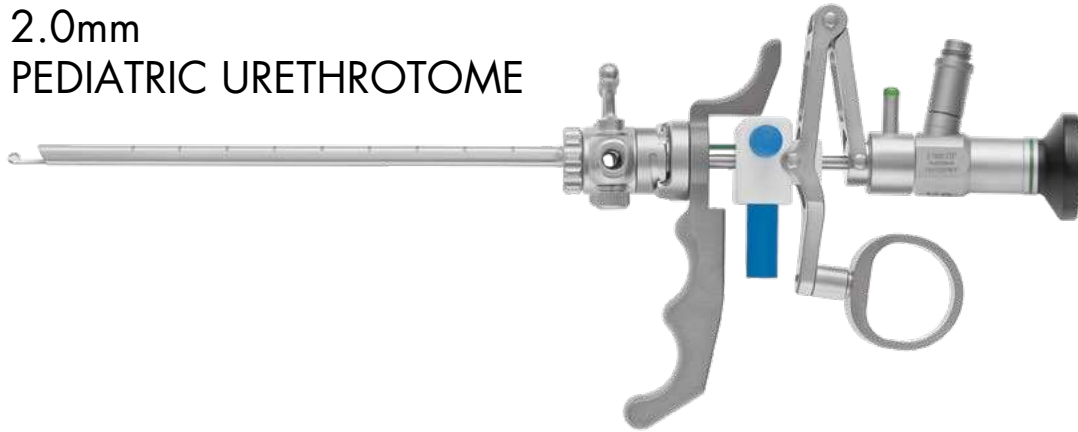
### Electrodes



Cutting Loop, angled	253-000-501
Cutting Loop, straight	253-000-502
Coagulation Electrode, Knife	253-000-503
Coagulation Electrode, Ball	253-000-505
Coagulation Electrode, Roller	253-000-507

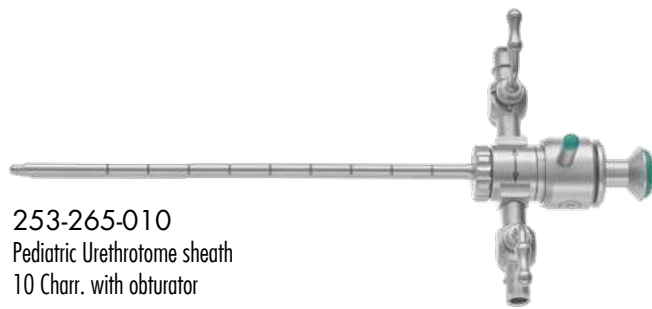
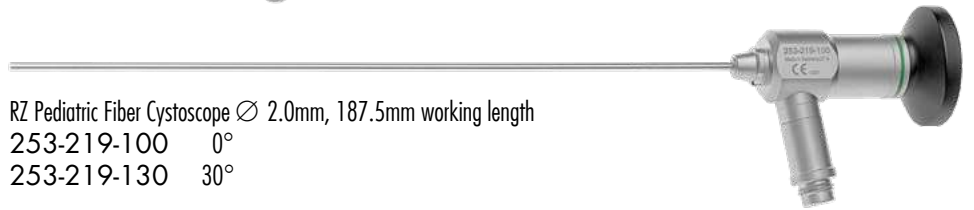


## Ø 2.0mm PEDIATRIC URETHROTOME



253-250-200 Passive working element for use with Ø 2.0mm RZ Fiber Cystoscope 253-219-100

RZ Pediatric Fiber Cystoscope Ø 2.0mm, 187.5mm working length  
 253-219-100 0°  
 253-219-130 30°



253-265-010  
 Pediatric Urethrotome sheath  
 10 Charr. with obturator



253-255-001 Bridge with 1 channel

## Electrodes



Knife with straight cutting edge 253-265-101



Round knife 253-265-102



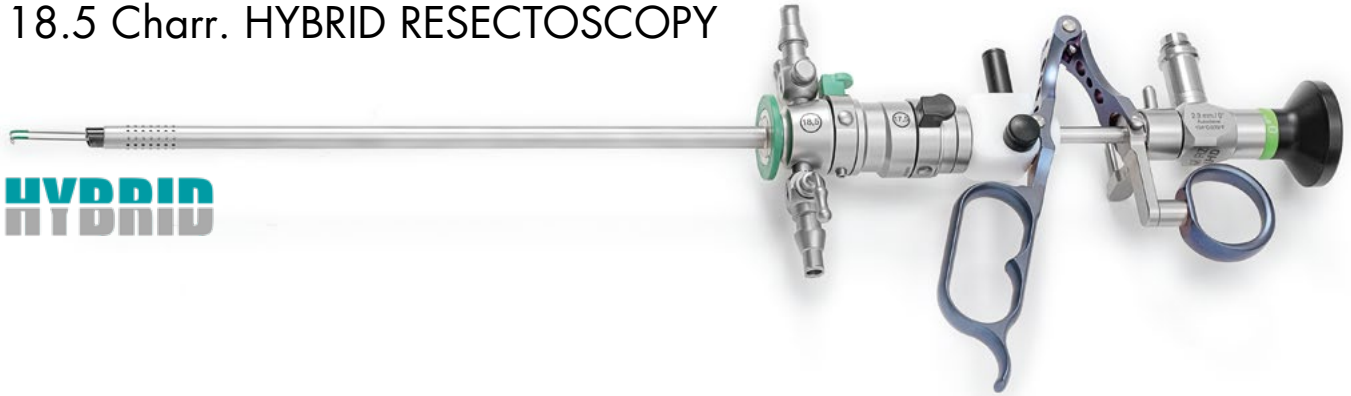
Sickle Knife 253-265-103



Hook Knife 253-265-104

## 18.5 Charr. HYBRID RESECTOSCOPY

**HYBRID**  
HYBRID

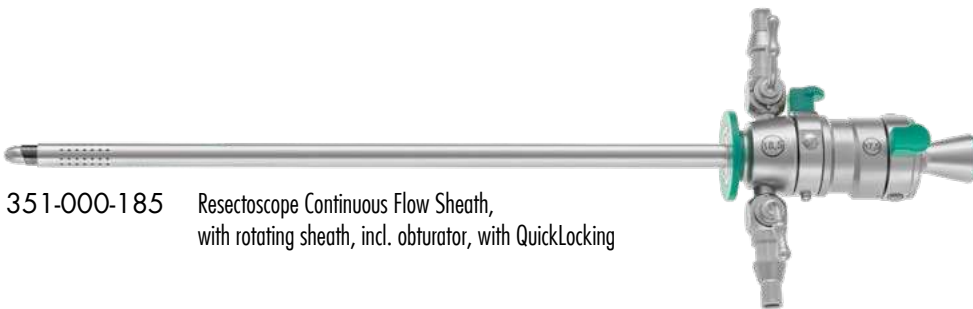


∅  
2.9 mm

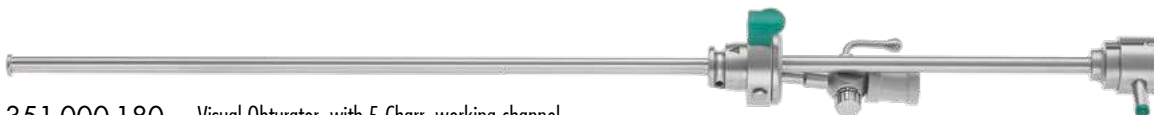


Endoscopes, suitable for HYBRID 18.5 Charr. System, autoclavable, ∅ 2.9mm  
 351-829-000 0°  
 351-829-012 12°  
 351-829-030 30°

Sheath and Working Elements,  
 suitable for HYBRID 18.5 Charr. System



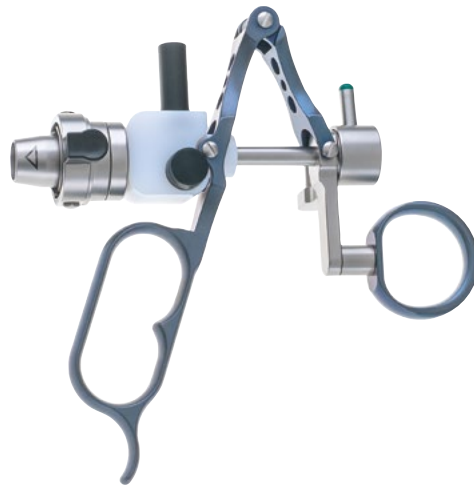
351-000-185 Resectoscope Continuous Flow Sheath,  
 with rotating sheath, incl. obturator, with QuickLocking



351-000-180 Visual Obturator, with 5 Charr. working channel








351-400-200 **Passive Titanium Working Element**



351-400-201 **Active Titanium Working Element**

Electrodes, 16 Charr., suitable for HYBRID 18.5 Charr. System



	Cutting Loop	351-000-201
	Cutting loop, straight	351-000-202
	Cutting loop, straight	351-000-203
	Ball Electrode	351-000-205
	Roller Electrode, 2mm	351-000-206

## RZ PEDIATRIC CYSTO-URETHROTOMES



### standard LINE

253-200-100 150mm

**7.5**  
CHARR.

DISTAL

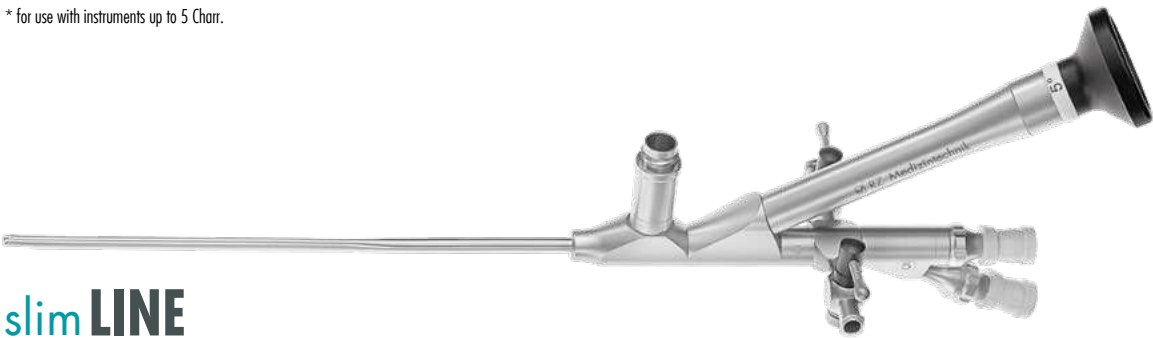
**9.5**  
CHARR.

PROXIMAL

**6.0**  
CHARR.

WORKING  
CHANNEL\*

\* for use with instruments up to 5 Charr.



### slim LINE

253-200-500 150mm

**6.0**  
CHARR.

DISTAL

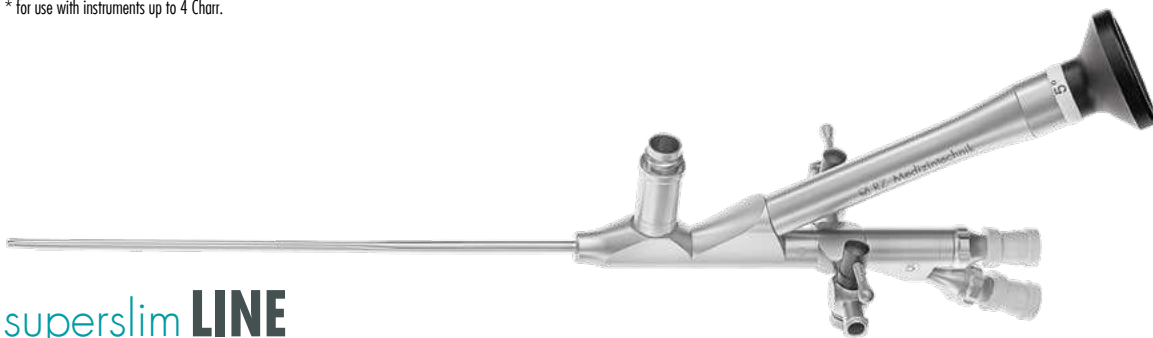
**7.5**  
CHARR.

PROXIMAL

**5.0**  
CHARR.

WORKING  
CHANNEL\*

\* for use with instruments up to 4 Charr.



### superslim LINE

253-200-600 150mm

**4.5**  
CHARR.

DISTAL

**6.0**  
CHARR.

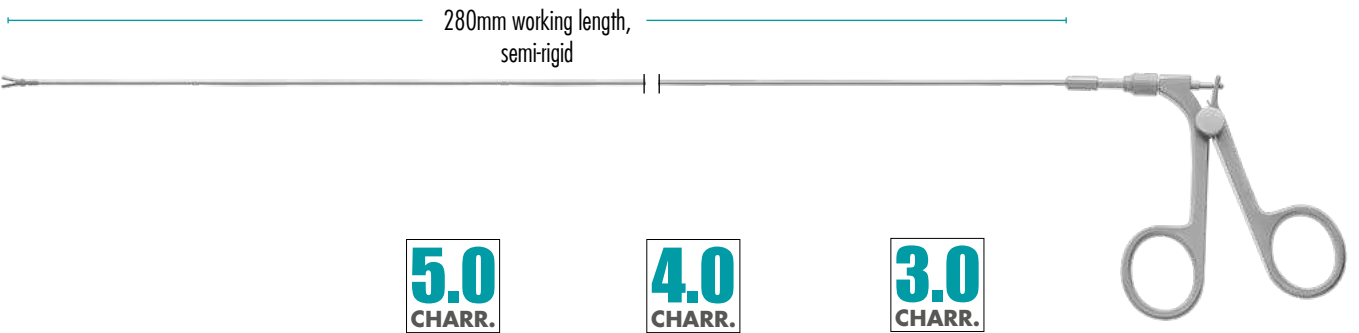
PROXIMAL





**3.5**  
CHARR.

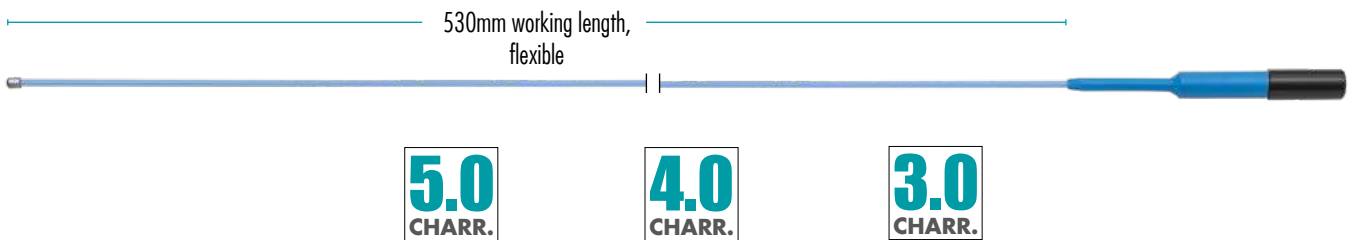
WORKING  
CHANNEL\*



\* for use with instruments up to 3 Charr.

## INSTRUMENTS FOR PEDIATRIC CYSTO-URETHROTOMES



	5.0 CHARR.	4.0 CHARR.	3.0 CHARR.	
	253-200-128	253-204-128	253-203-128	Stone Grasping Forceps, double action jaws
	253-200-228	253-204-228	253-203-228	Large Stone Grasping Forceps, double action jaws
	253-200-328	253-204-328	253-203-328	Biopsy Forceps, double action
	253-200-428	253-204-428	253-203-428	Scissors, single action



	5.0 CHARR.	4.0 CHARR.	3.0 CHARR.	
	253-370-005	253-370-004	253-370-003	Ball Electrode
	253-371-005	253-371-004	253-371-003	Needle Electrode

