

RZ Medizintechnik GmbH
Unter Haslen 20 | D-78532 Tuttlingen
Phone: +49 (0)7462/9470-0
Fax: +49 (0)7462/9470-50
sales@rz-medizintechnik.com
www.rz-medizintechnik.com



RZ
Medizintechnik
GmbH

Progress in Surgery

CASPAR Cervical Distractor System



news
07.2013

CASPAR CERVICAL DISTRACTOR SYSTEM

Over 25 years the Caspar Distractor System is considered as the first choice technology for cervical distraction procedures. The following set shows the latest improvements of this proven surgical technique such as self-drilling distraction screws and distractors with extended rack for multilevel distraction. All instruments are manufactured in a dull finish to avoid undesired light reflections, high grade medical synthetic handles ensure an extended lifetime of the instruments with best cleaning and maintenance results.

CERVICAL DISTRACTOR

for LEFT approach for C5 through T2 and
for RIGHT approach for C1 through C4



| 259-190-110
with 110mm rack for
two-level distraction



| 259-190-130
with 130mm rack for
multilevel distraction

DRILL GUIDE

for parallel positioning of the Distraction Screws

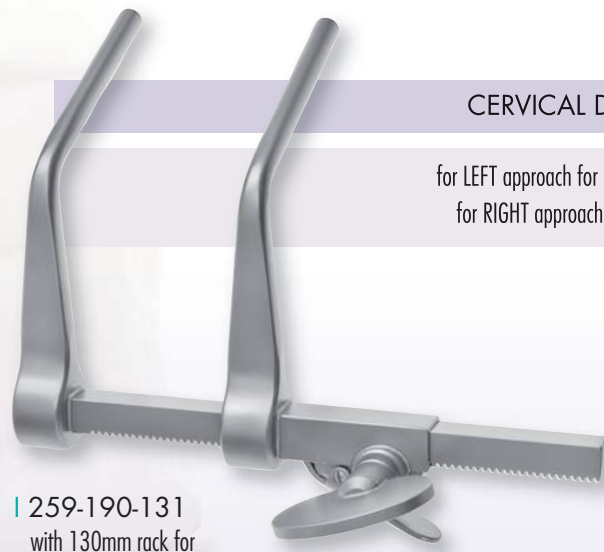


| 259-190-200
for use with Distractors
259-190-110 and
259-190-130





| 259-190-111
with 110mm rack for
two-level distraction



| 259-190-131
with 130mm rack for
multilevel distraction

CERVICAL DISTRACTOR

for LEFT approach for C5 through T2 and
for RIGHT approach for C1 through C4



DRILL GUIDE

for parallel positioning of the Distraction Screws



| 259-190-300
for use with Distractors
259-190-111 and
259-190-131

DRILL BIT

for drilling holes for Distraction Screws
2.35mm shank, 148mm overall length



| 259-190-408
Ø 1.7mm, 8mm drilling depth

Scale 1:1



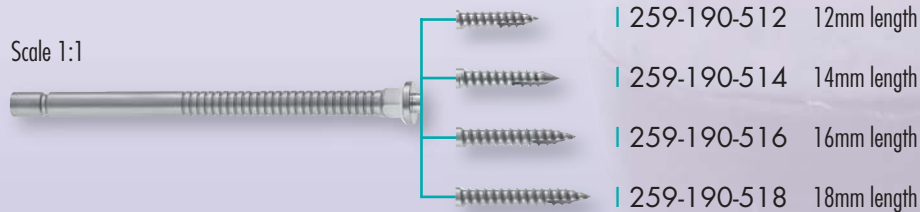
| 259-190-414
Ø 1.7mm, 14mm drilling depth

DISTRACTION SCREW, SELF-DRILLING

to be used in pairs of 2 pieces with Distractors



Scale 1:1

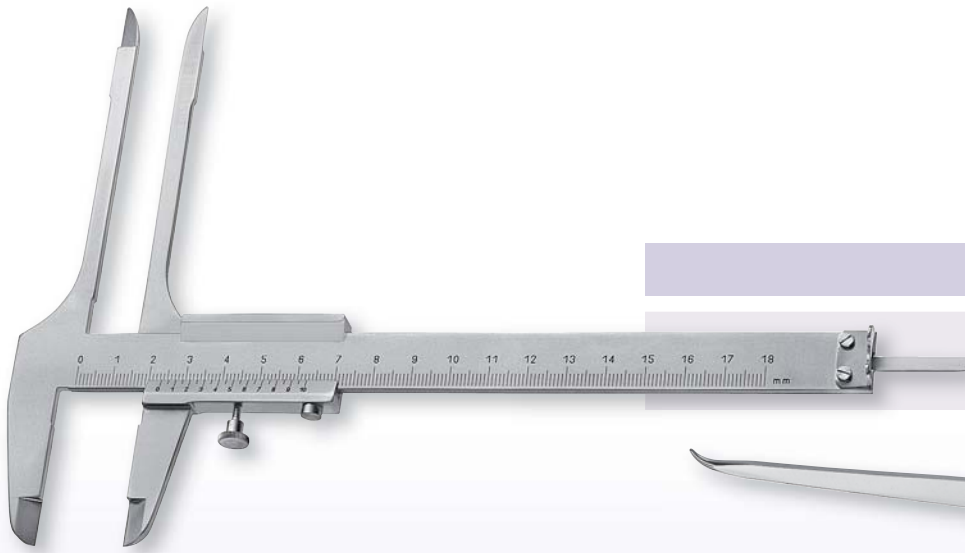


SCREW DRIVER

for Distraction Screws, 200mm overall length



| 259-190-550



CALIPER

Bone Craft Caliper

| 259-185-885
Scale in mm, max. 180mm,
inside/outside measuring, faces & depth



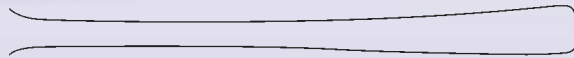
| 200-200-170
For measuring excavated bone cavity,
with probe tip, 180mm

RASPATORY



6.2mm, curved, sharp, 180mm

| 259-185-328



VERTEBRAL BODY DISSECTORS



with Synthetic Handle, 205mm



| 259-185-917



| 259-185-918

HOOKS



Exploration- and Coagulation Hooks
insulated, 245mm



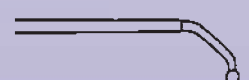
| 250-020-088



| 250-020-089



| 250-020-090



| 250-020-091

BONE TAMPER

200mm overall length
with Synthetic Handle

- | 210-273-200 ∅ 3mm
- | 210-274-200 ∅ 5mm
- | 210-275-200 ∅ 8mm



GRAFT CUTTER

with adjustable depth control,
double action, 220mm

- | 259-185-927 10mm width
- | 259-185-928 7mm width



BONE CURETTES

220mm overall length
with Synthetic Handle



- | | | | | | | | | |
|----------|---|------------------------------|---|-----------------------------|---|------------------------------|---|-----------------------------|
| |  | 259-185-912
#000
3.6mm |  | 259-185-913
#00
4.4mm |  | 259-185-921
#000
3.6mm |  | 259-185-922
#00
4.4mm |
| straight |  | 259-185-914
#0
5.2mm | | |  | 259-185-919
#0
5.2mm | | |

angled

BONE CURETTES

Square Hole, toothed,
with Synthetic Handle, 220mm



| 259-185-915
4mm



| 259-185-916
5mm



| 259-185-910
6mm

BONE CURETTES

Square Hole, serrated
knee bent

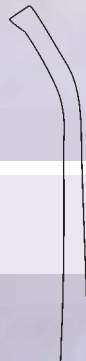


270mm



| 210-340-003
3mm

250mm



| 210-342-004
4mm



| 210-340-004
4mm



| 210-342-005
5mm

COMPREHENSIVE SPINE SURGERY INSTRUMENTS

RZ Medizintechnik GmbH offers a wide range of Spine Surgery Instruments such as Caspar Lumbar and Cervical Discectomy Retractors, Spinal Curettes, Kerrison Punches and Micro Instruments.

Please ask your Area Manager for further informations.

